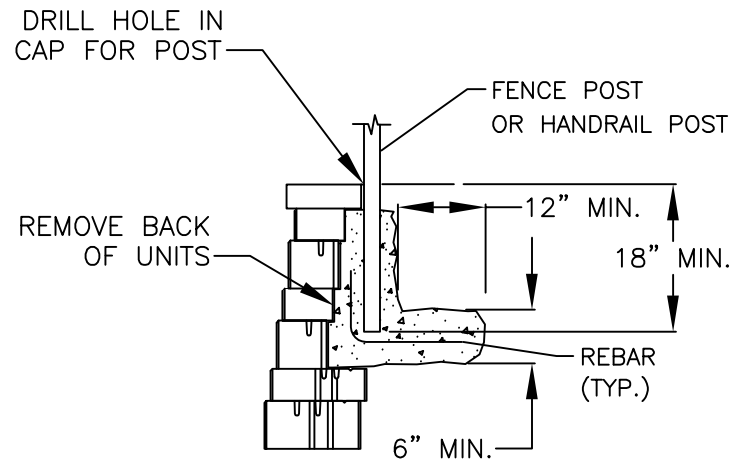


POST DETAIL—PLAN VIEW

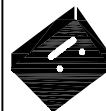
MOSAIC—TYPICAL HANDRAIL AND/OR FENCE POST
SCALE: NONE



POST DETAIL—SECTION A—A

MOSAIC—TYPICAL HANDRAIL AND/OR FENCE POST
SCALE: NONE

THESE PRELIMINARY DETAILS ARE INTENDED AS AN AID IN DESIGNING ATTRACTIVE, DURABLE RETAINING WALLS WITH VERSA-LOK UNITS. FINAL DETERMINATION OF THE SUITABILITY OF ANY INFORMATION OR MATERIAL FOR THE USE CONTEMPLATED, AND ITS MANNER OF USE, IS THE SOLE RESPONSIBILITY OF THE USER. A FINAL PROJECT SPECIFIC DESIGN SHOULD BE PREPARED BY A QUALIFIED, LICENSED, PROFESSIONAL ENGINEER.



VERSA-LOK®
Retaining Wall Systems

(800)770-4525 fax(651)770-4089
6348 Hwy36 Ste1, Oakdale,MN 55128 **Solid Solutions™**

VERSA-LOK MOSAIC DETAILS

POST DETAIL

SCALE:	1/2"=1'
DRAWN BY:	PPS
CHECKED BY:	
DATE:	10/2007
DWG. NO.	MOSAIC POST DETAIL