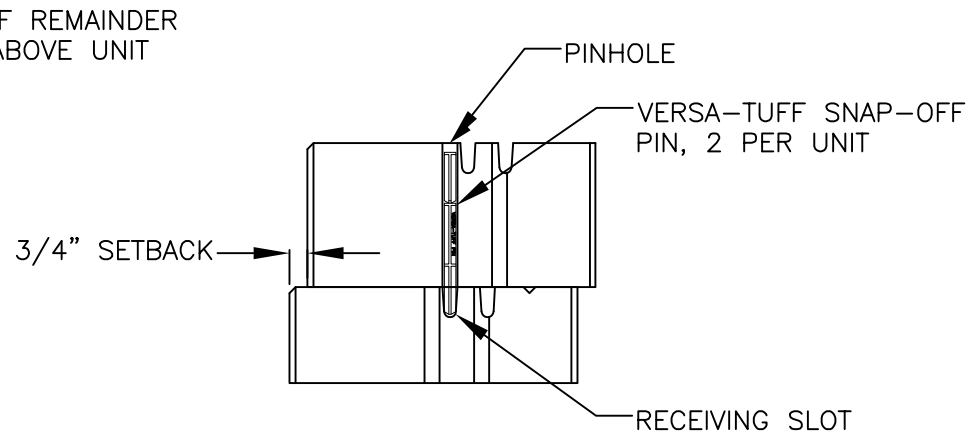


PINNING DETAIL

MOSAIC - PINNING 4" HIGH ACCENT
 INTO 6" HIGH STANDARD/COBBLE
 SCALE: NONE



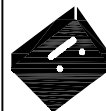
PINNING DETAIL

MOSAIC - PINNING 6" HIGH STANDARD/COBBLE
 INTO 4" HIGH ACCENT
 SCALE: NONE

NOTE:

- IN SOME REGIONS ALL UNITS OF THE MOSAIC RETAINING WALL SYSTEM (COBBLE, ACCENT AND STANDARD) HAVE 1/4" SETBACK OPTION, ALLOWING A NEAR VERTICAL SETBACK MOSAIC WALL. CONTACT THE LOCAL VERSA-LOK MANUFACTURER NEAREST YOU FOR INFORMATION.

THESE PRELIMINARY DETAILS ARE INTENDED AS AN AID IN DESIGNING ATTRACTIVE, DURABLE RETAINING WALLS WITH VERSA-LOK UNITS. FINAL DETERMINATION OF THE SUITABILITY OF ANY INFORMATION OR MATERIAL FOR THE USE CONTEMPLATED, AND ITS MANNER OF USE, IS THE SOLE RESPONSIBILITY OF THE USER. A FINAL PROJECT SPECIFIC DESIGN SHOULD BE PREPARED BY A QUALIFIED, LICENSED, PROFESSIONAL ENGINEER.



VERSA-LOK®
Retaining Wall Systems

(800)770-4525 fax(651)770-4089
 6348 Hwy36 Ste1, Oakdale, MN 55128 **Solid Solutions™**

VERSA-LOK MOSAIC DETAILS

PINNING

SCALE:	1 1/2"=1'
DRAWN BY:	PPS
CHECKED BY:	
DATE:	10/2007
DWG. NO.	mosaic pinning