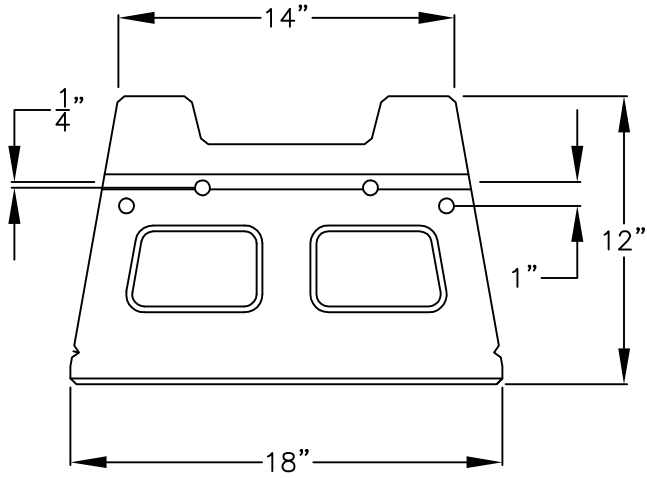
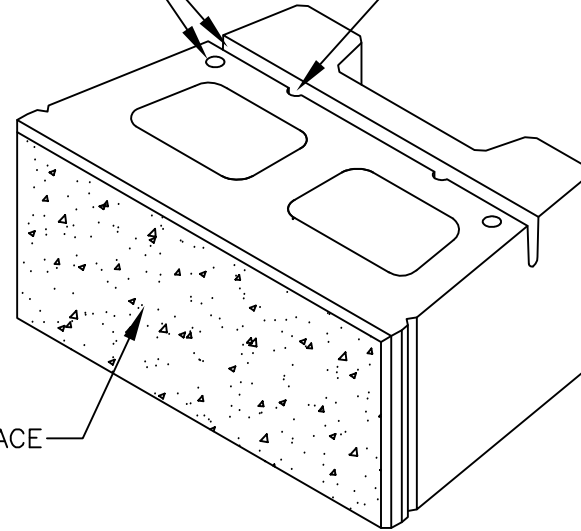


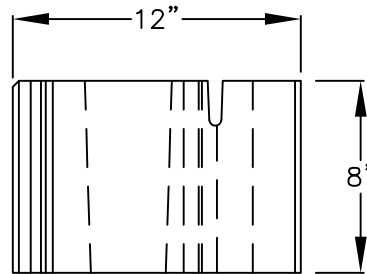
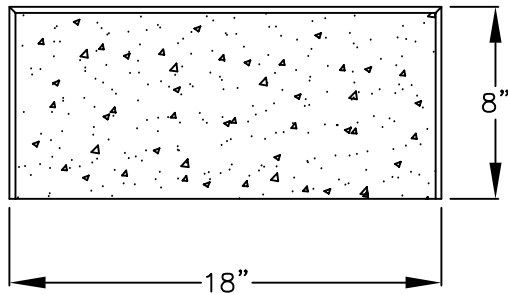
PIN HOLES AND SLOTS FOR 1" SETBACK WALL CONSTRUCTION



PIN HOLES FOR 1/4" SETBACK WALLS



STRAIGHT SPLIT FACE

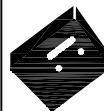


VERSA-LOK SQUARE FOOT UNIT

UNIT DIMENSIONS

SCALE: NONE

THESE PRELIMINARY DETAILS ARE INTENDED AS AN AID IN DESIGNING ATTRACTIVE, DURABLE RETAINING WALLS WITH VERSA-LOK UNITS. FINAL DETERMINATION OF THE SUITABILITY OF ANY INFORMATION OR MATERIAL FOR THE USE CONTEMPLATED, AND ITS MANNER OF USE, IS THE SOLE RESPONSIBILITY OF THE USER. A FINAL PROJECT SPECIFIC DESIGN SHOULD BE PREPARED BY A QUALIFIED, LICENSED, PROFESSIONAL ENGINEER.



VERSA-LOK[®]
Retaining Wall Systems

(800)770-4525 fax(651)770-4089
6348 Hwy36 Ste1, Oakdale, MN 55128 **Solid Solutions**[™]

VERSA-LOK SQUARE FOOT DETAILS

SQUARE FOOT UNIT

SCALE: 1 1/2"=1'

DRAWN BY: PPS

CHECKED BY:

DATE: 10/2007

DWG. NO. square foot unit