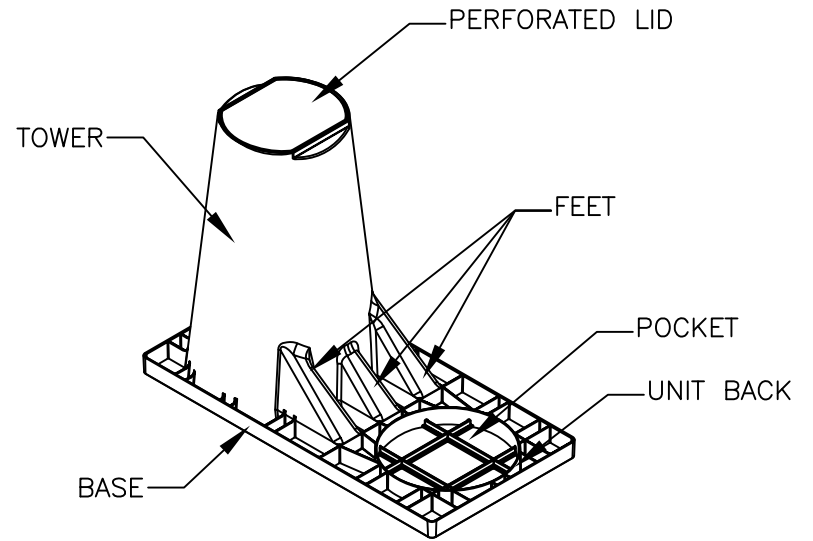


*SEE SLEEVE-IT® MANUFACTURER, STRATA SYSTEMS PREFERRED SPECIFICATION DOCUMENT FOR APPROPRIATE APPLICATIONS. NOT SUITABLE FOR SOLID BOARD PRIVACY FENCES, PRIVACY CLOTH, OR SCREENING.

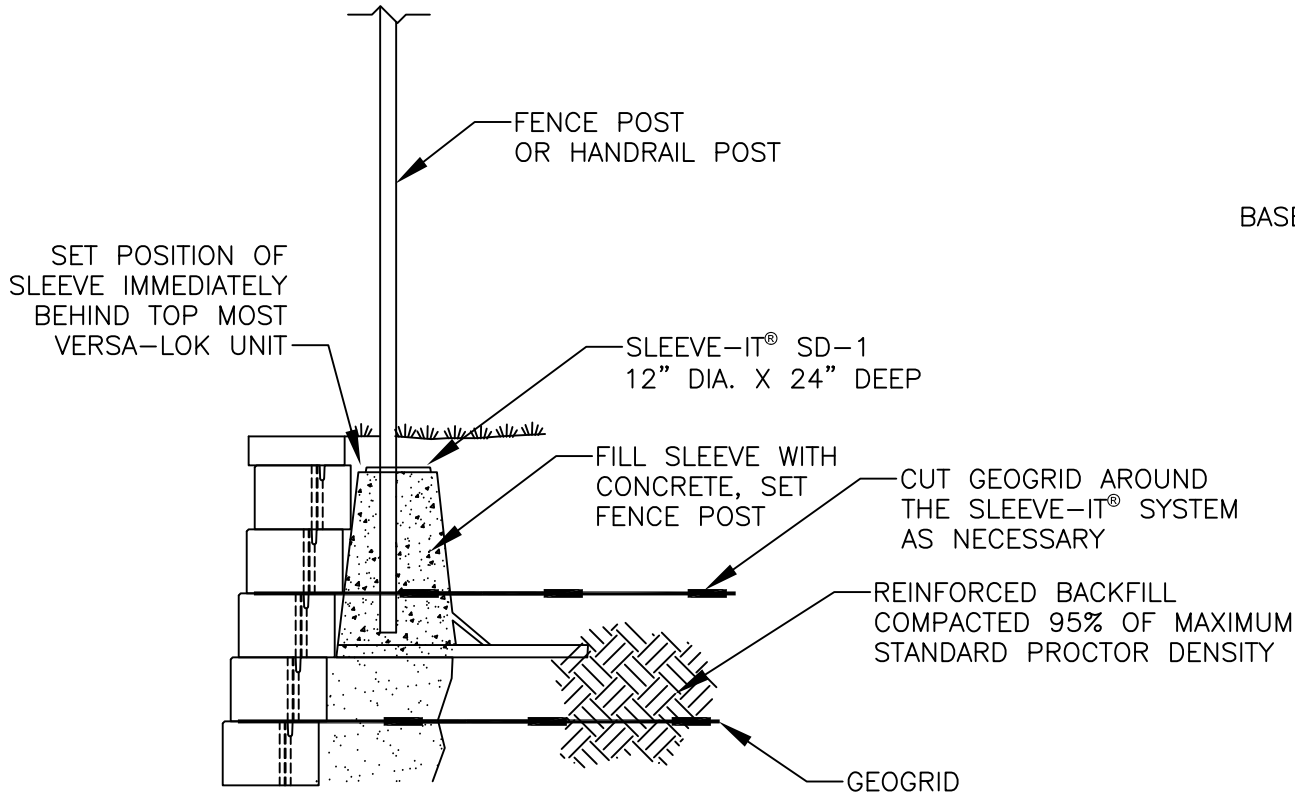


SLEEVE-IT® SD-1

SYSTEM COMPONENTS

SCALE: NONE

SEE SLEEVE-IT® SYSTEM MANUFACTURER, STRATA SYSTEMS FOR COMPLETE SPECIFICATIONS, AND TECHNICAL GUIDANCE

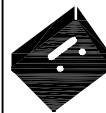


FENCE POST DETAIL W/ SLEEVE-IT® SD-1

STANDARD UNIT WITH SLEEVE-IT® SD-1

SCALE: 1/2"=1'

THESE PRELIMINARY DETAILS ARE INTENDED AS AN AID IN DESIGNING ATTRACTIVE, DURABLE RETAINING WALLS WITH VERSA-LOK UNITS. FINAL DETERMINATION OF THE SUITABILITY OF ANY INFORMATION OR MATERIAL FOR THE USE CONTEMPLATED, AND ITS MANNER OF USE, IS THE SOLE RESPONSIBILITY OF THE USER. A FINAL PROJECT SPECIFIC DESIGN SHOULD BE PREPARED BY A QUALIFIED, LICENSED, PROFESSIONAL ENGINEER.



VERSA-LOK®
Retaining Wall Systems

(800)770-4525 fax(651)770-4089
6348 Hwy36 Ste1, Oakdale, MN 55128 **Solid Solutions™**

VERSA-LOK SQUARE FOOT DETAILS

FENCE POST WITH SLEEVE-IT®

| | |
|-------------|---------------------------------|
| SCALE: | AS NOTED |
| DRAWN BY: | kan |
| CHECKED BY: | |
| DATE: | 6/2019 |
| DWG. NO. | sf fencepost with new sleeve it |