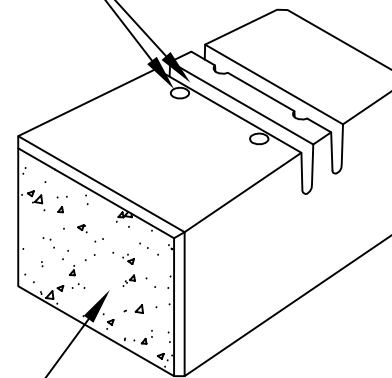


PIN HOLES AND SLOTS FOR 3/4"  
SETBACK WALL CONSTRUCTION



STRAIGHT SPLIT FACE

## VERSA-LOK COBBLE UNIT

UNIT DIMENSIONS

SCALE: NONE

THESE PRELIMINARY DETAILS ARE INTENDED AS AN AID IN DESIGNING ATTRACTIVE, DURABLE RETAINING WALLS WITH VERSA-LOK UNITS. FINAL DETERMINATION OF THE SUITABILITY OF ANY INFORMATION OR MATERIAL FOR THE USE CONTEMPLATED, AND ITS MANNER OF USE, IS THE SOLE RESPONSIBILITY OF THE USER. A FINAL PROJECT SPECIFIC DESIGN SHOULD BE PREPARED BY A QUALIFIED, LICENSED, PROFESSIONAL ENGINEER.



**VERSA-LOK<sup>®</sup>**  
Retaining Wall Systems

(800)770-4525 fax(651)770-4089  
6348 Hwy36 Ste1, Oakdale, MN 55128 **Solid Solutions<sup>™</sup>**

VERSA-LOK COBBLE DETAILS

COBBLE UNIT

SCALE: 1 1/2"=1'

DRAWN BY: PPS

CHECKED BY:

DATE: 10/2007

DWG. NO.  
cobble unit