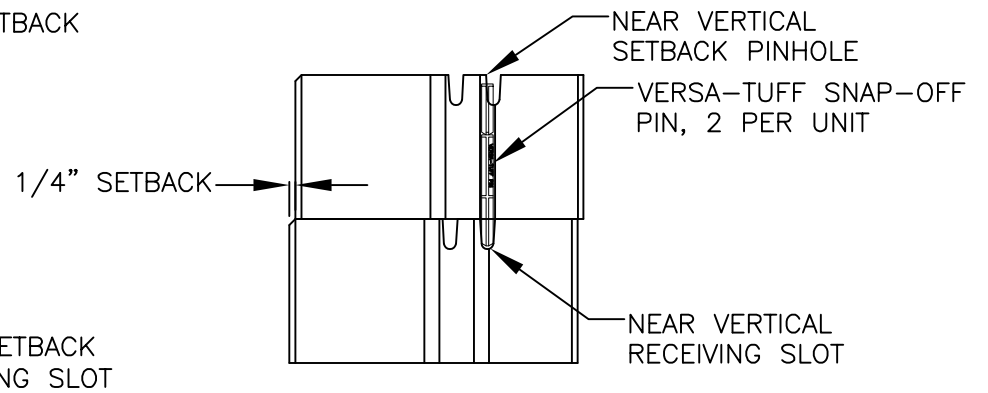


PINNING DETAIL

COBBLE - 3/4" SETBACK  
SCALE: NONE



PINNING DETAIL

COBBLE - NEAR VERTICAL  
SCALE: NONE

THESE PRELIMINARY DETAILS ARE INTENDED AS AN AID IN DESIGNING ATTRACTIVE, DURABLE RETAINING WALLS WITH VERSA-LOK UNITS. FINAL DETERMINATION OF THE SUITABILITY OF ANY INFORMATION OR MATERIAL FOR THE USE CONTEMPLATED, AND ITS MANNER OF USE, IS THE SOLE RESPONSIBILITY OF THE USER. A FINAL PROJECT SPECIFIC DESIGN SHOULD BE PREPARED BY A QUALIFIED, LICENSED, PROFESSIONAL ENGINEER.



**VERSA-LOK<sup>®</sup>**  
Retaining Wall Systems

(800)770-4525 fax(651)770-4089  
6348 Hwy36 Ste1, Oakdale, MN 55128 **Solid Solutions<sup>™</sup>**

VERSA-LOK COBBLE DETAILS

PINNING

SCALE:	1 1/2"=1'
DRAWN BY:	PPS
CHECKED BY:	
DATE:	10/2007
DWG. NO.	cobble pinning